

Stenca Trading



Penetration Seal



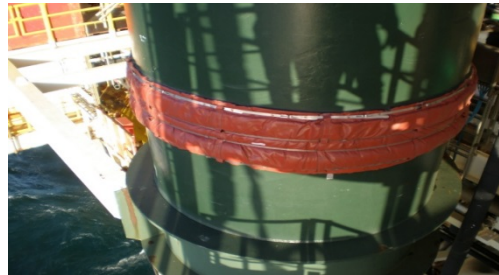
Stenca Trading

Penetration Seal for high fire demands

The seal and enclosure systems are manufactured according to strict quality control procedures and in accordance with the requirements of ISO 9001.

Stenca Trading

Penetration Seal's for different demands



Stenca
TRADING

WE ARE FULL OF ENERGY

optimal solutions



Stenca Trading

Health & Safety

Stenca Trading's seals and enclosures are multi-component systems made up from ceramic and glass cloths and felts, metallic foils, silica areogel insulation and high grade stainless steels. Ceramic blankets have been replaced by body soluble silicate formulations and elastomeric and silicone membrane coatings have been tested and found to be totally innocuous under fire conditions. COSHH data sheets may be supplied with all of our systems.

Stenca Trading

Approvals & Testing

All systems are tested by independent, accredited test houses such as the IMO approved Loss Prevention Council at Borehamwood and HSE Laboratories at Buxton.

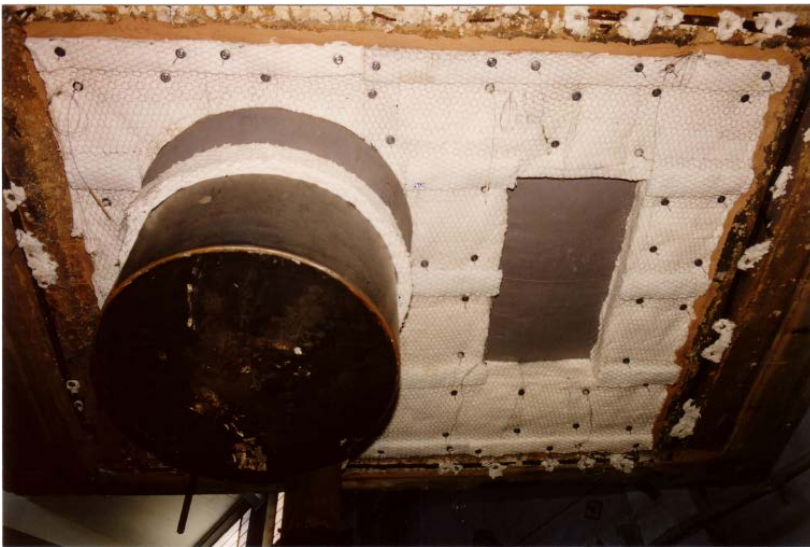
Throughout testing, the systems have maintained their integrity, stability and insulation properties and accordingly carry certification issued by Lloyds Register of Shipping, Det Norske Veritas or American Bureau of Shipping.



Stenca Trading

Hydrocarbon Fire Testing

After 2 hours exposure to temperatures over 1100 degC.



Pipe seal and module seal pre-test.

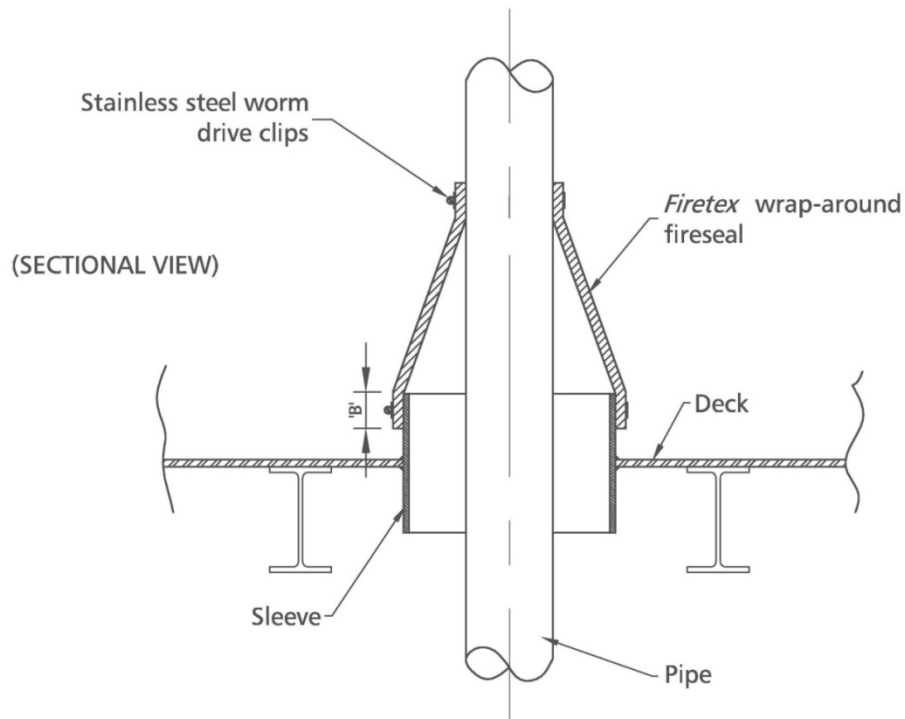
Stenca
TRADING

WE ARE FULL OF ENERGY

optimal solutions

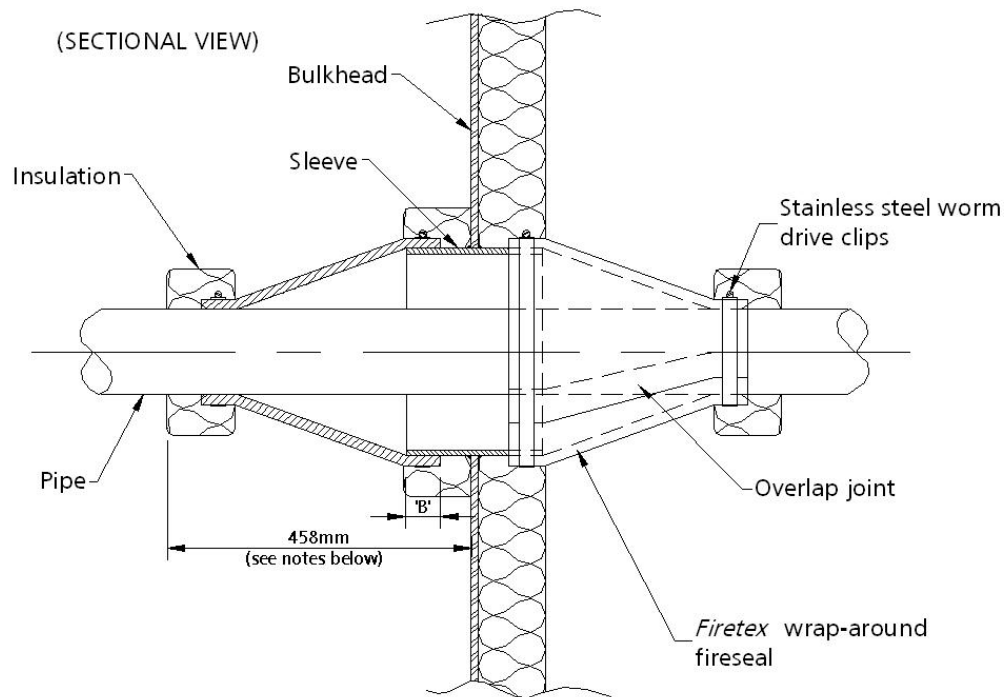
Stenca Trading

Firetex Pipe Penetration Seal to Suit A0 to H0 Applications



Stenca Trading

Firetex Pipe Penetration Seal to Suit H60 to H120 Application



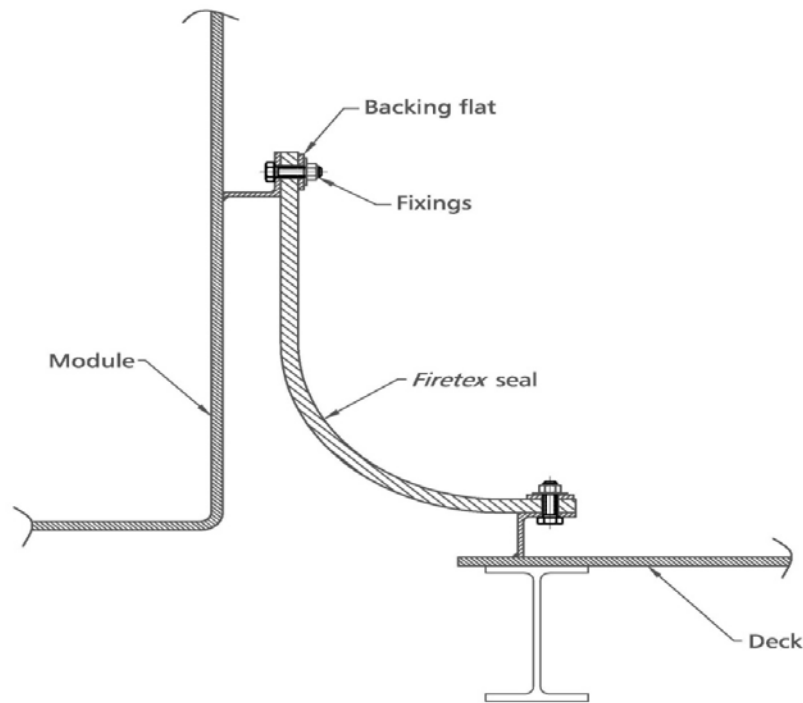
Stenca
TRADING

WE ARE FULL OF ENERGY

optimal solutions

Stenca Trading

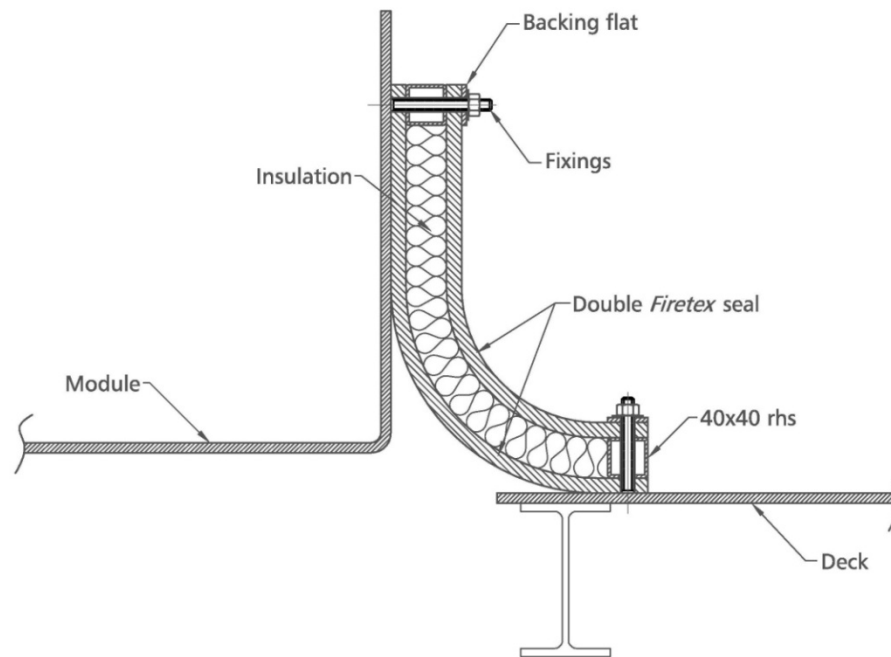
Firetex Module Skirt Seal to Suit A0 to H0 Application



(SECTIONAL VIEW)

Stenca Trading

Firetex Module Skirt Seal to Suit H60 to H120 Applications



(SECTIONAL VIEW)

Stenca Trading

Fully Certified Systems

Stenca Trading can offer certified systems to meet A0 & H0 and A60 to H120 hydrocarbon fire conditions with blast overpressures up to 1.35 bar g. Further enhancements qualify these systems for J30, J60 and J120 applications.



CERTIFICATE OF FIRE APPROVAL

This is to certify that

The product(s) detailed below will be accepted for compliance with the applicable Lloyd's Register Rules and Regulations for use on offshore installations classed with Lloyd's Register, and for use on offshore installations when authorised by contracting governments to issue the relevant certificates, licences, permits etc.

Manufacturer	MCL Unites Ltd.
Address	MCL House Adams Close Horseshoe Gate Industrial Estate Heanor Derbyshire, DE75 7SW United Kingdom (UK)
Type	H-120 PIPE PENETRATION (HYDROCARBON FIRE TEST)
Equipment Description	Single Pipe Deck Penetration - Type "FORETEX" Single Sided Seal Fitted on the Fire Exposed Side
Specified Standard	IMO Resolution A.754(18) and UK Department of Energy Hydrocarbon Time/Temperature Relationship

The attached Design Approval Document forms part of this certificate.
This certificate remains valid unless cancelled or revoked, provided the conditions in the attached Design Approval Document are complied with and the equipment remains satisfactory in service.

Date of issue	22 March 2015	Expiry date	21 March 2020
----------------------	---------------	--------------------	---------------

Certificate No.	SAS F15035	Signed	
------------------------	------------	---------------	--

Sheet No	1 of 3	Name	S. Alrababah Surveyor to Lloyd's Register EMEA A Member of the Lloyd's Register Group
-----------------	--------	-------------	---

Note:

This certificate is not valid for equipment, the design or manufacture of which has been varied or modified from the specimen tested. The manufacturer should notify Lloyd's Register of any modifications or changes to the equipment in order to obtain a valid Certificate.

Lloyd's Register Group Limited, its affiliates and subsidiaries and their respective officers, employees or agents are, as Lloyd's Register Group Limited, its affiliates and subsidiaries and their respective officers, employees or agents are, not liable in respect of any negligence or otherwise in connection with the services provided by Lloyd's Register Group Limited, its affiliates and subsidiaries and their respective officers, employees or agents in the manner or to the extent permitted by law. This certificate is issued under the terms and conditions set out in the certificate and in the case of any inconsistency or conflict of terms and conditions set out in this certificate.



WE ARE FULL OF ENERGY

optimal solutions



Stenca Trading

Locations

Do not hesitate to call us if you need further information, or we can be helpful in any way at all.

stenca.com

Stenca Trading A/S, Denmark
Svendborgvej 15, 9220 Aalborg
Tel.: +45 9632 4810
E-mail: info@stenca.dk

Stenca Trading AS, Norway
Finnestadsvingen 1, 4029 Stavanger
Tel.: +47 900 57 461
E-mail: arvid@stenca.com